

AEG

INSTRUCTION BOOK GEBRAUCHSANWEISUNG

FX9 | **X ULTIMATE**





www.aeg.com



www.aeg.com/productregistration




support.emea.aeg.com

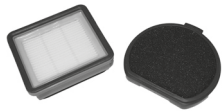




CONSUMABLES & ACCESSORIES




www.aeg.com/shop

 **FX9 Performance Kit**
 Ref: ASPK9
 Part nr: 900169080/0





 **3in1 Nozzle**
 Ref: AZE127
 Part nr: 900922927/0




 **Home & Car kit**
 Ref: AKIT18
 Part nr: 900922935/3




 **Citrus Burst**
 Ref: ESMA
 Part nr: 9001677807

 **Evening Rose**
 Ref: ESRO
 Part nr: 9001677765




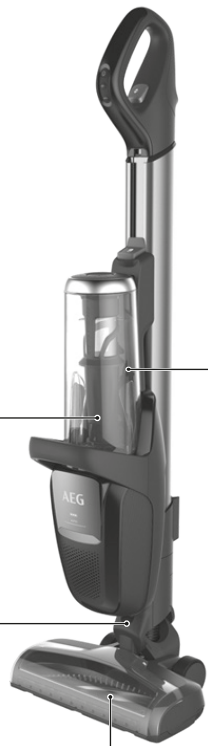
 **S-fresh 18 Value pack**
 Ref: ESVP1
 Part nr: 9001681221

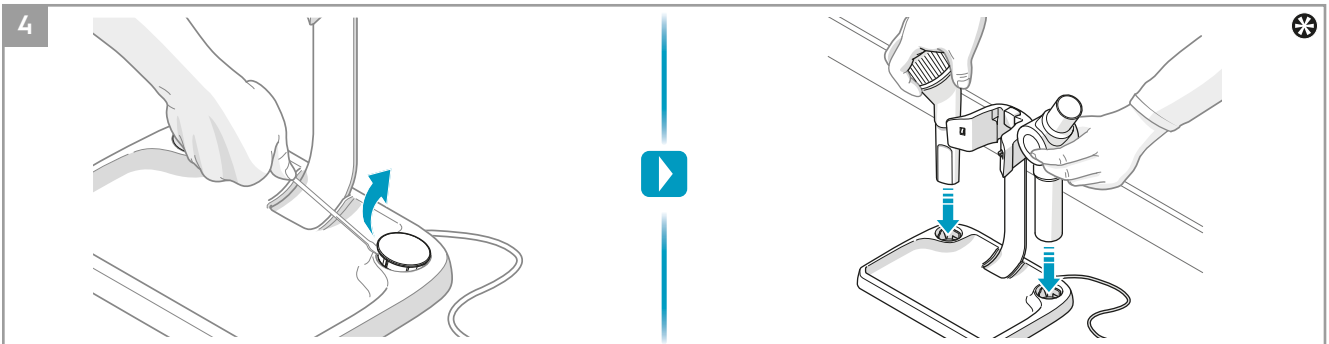
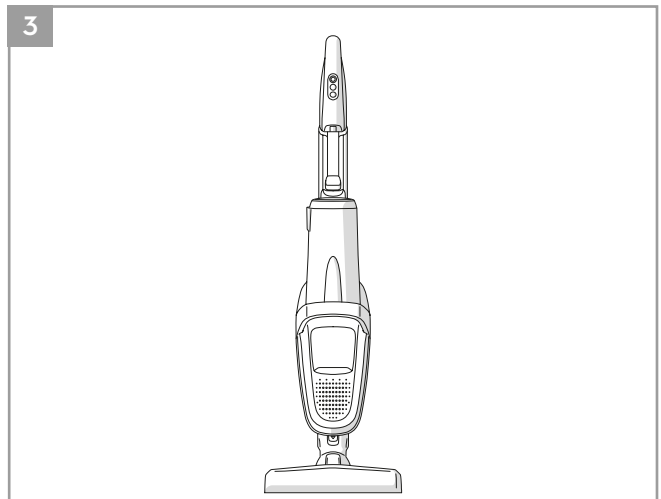
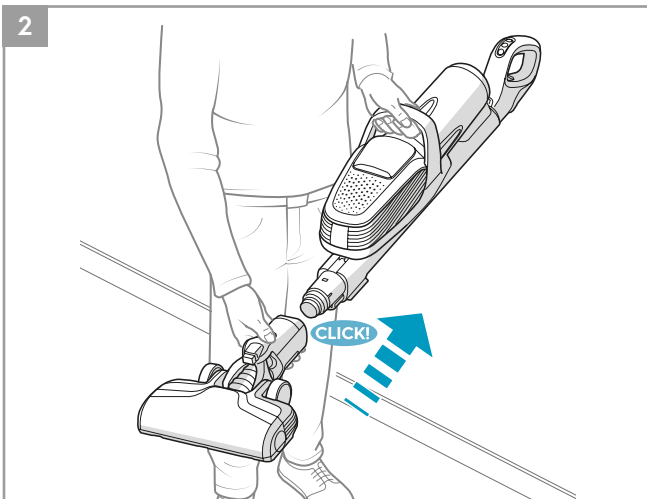
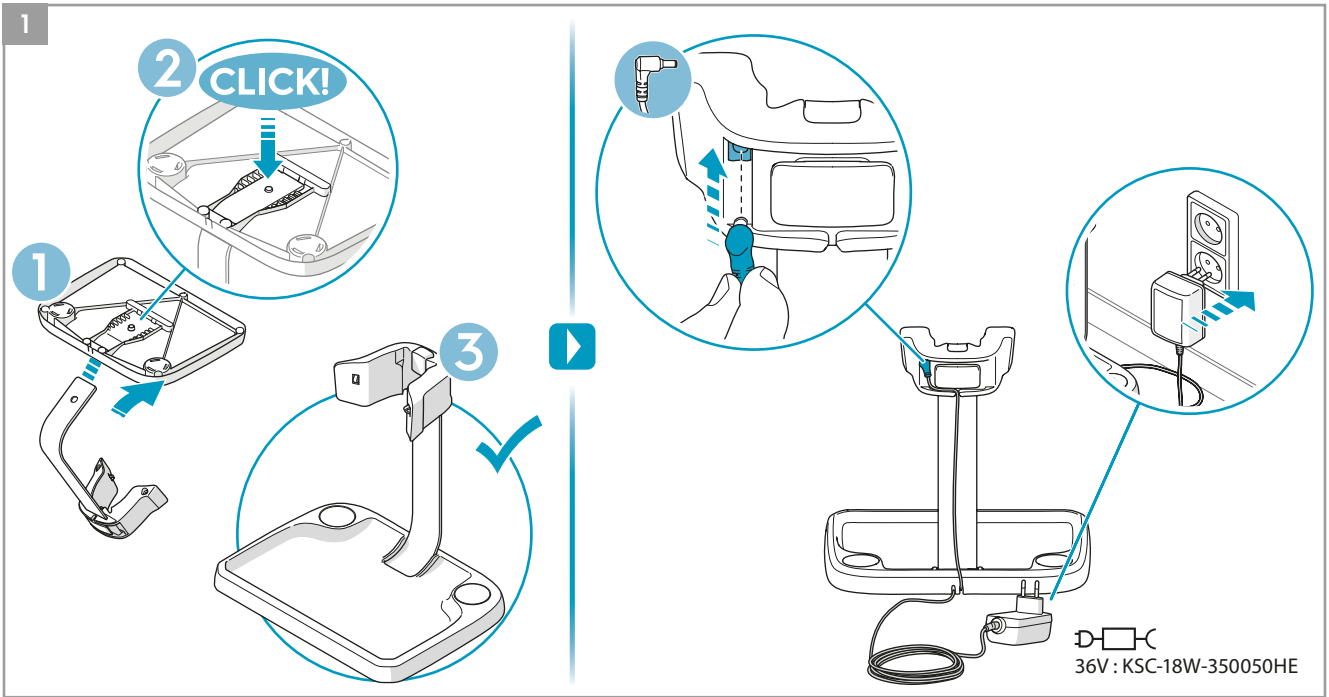
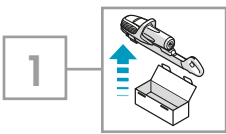


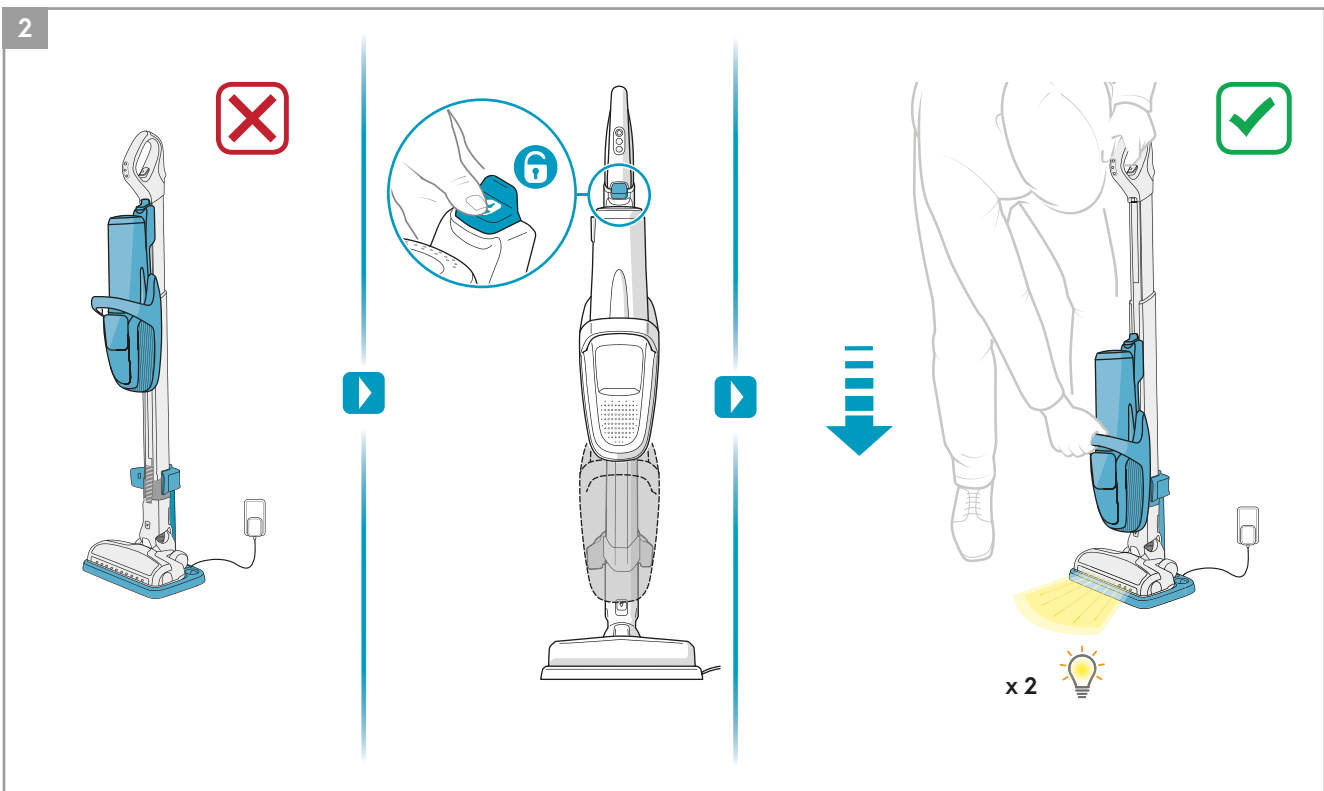
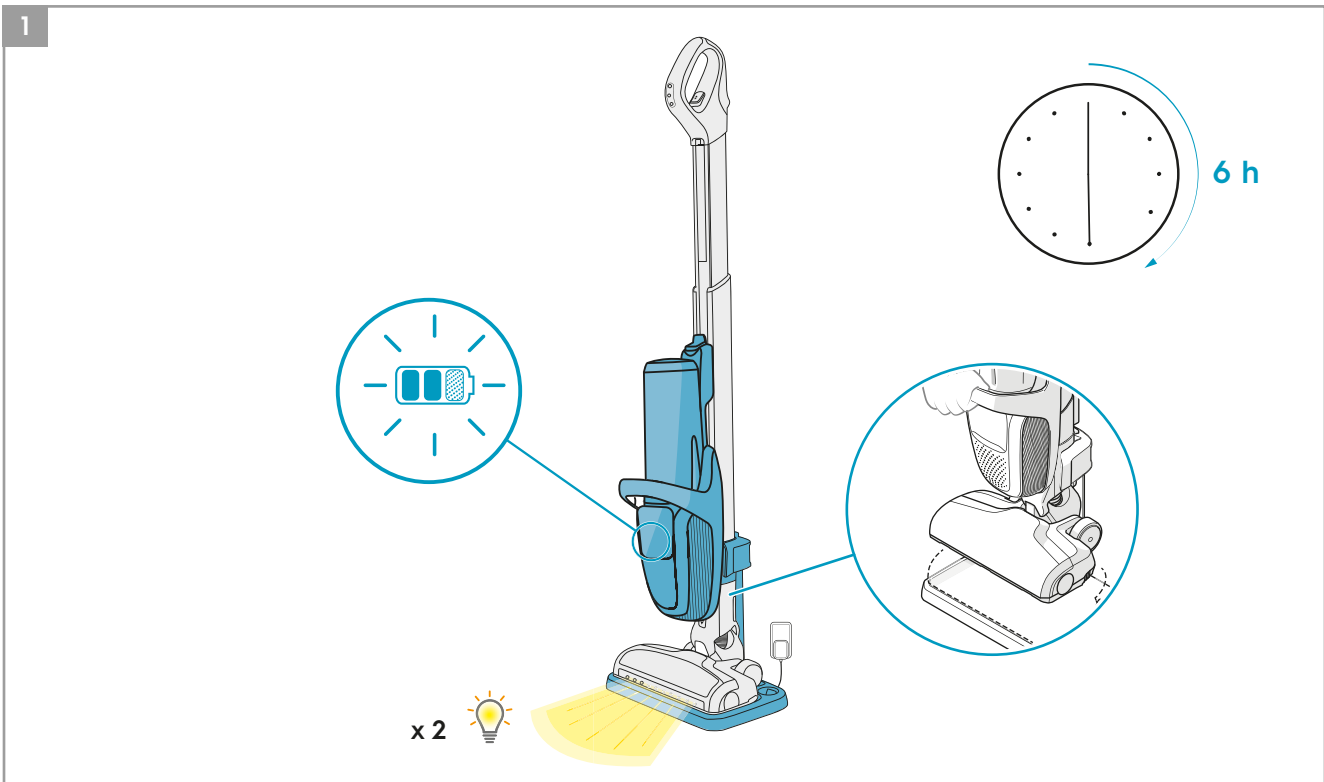
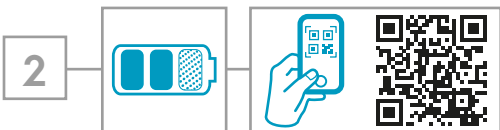
 **Brush roll hard floor**
 Ref: ESBH9
 Part nr: 9009229460

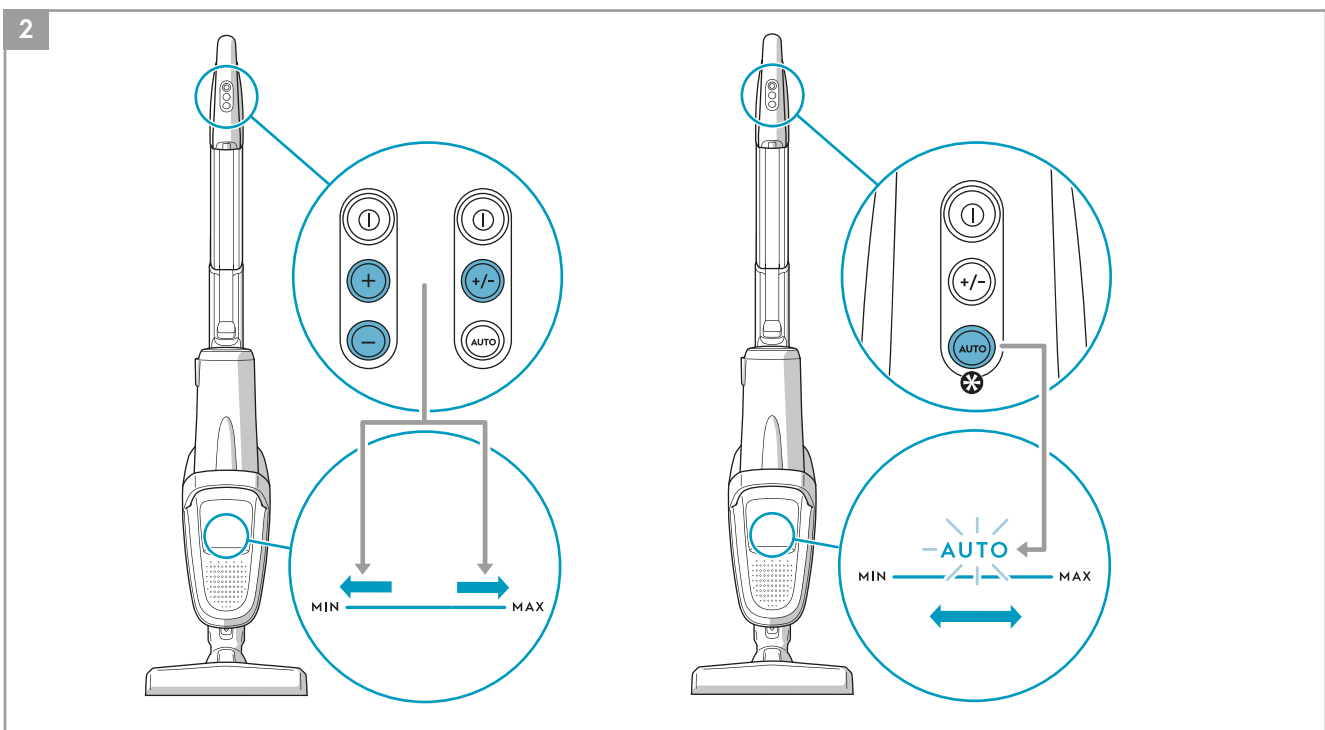
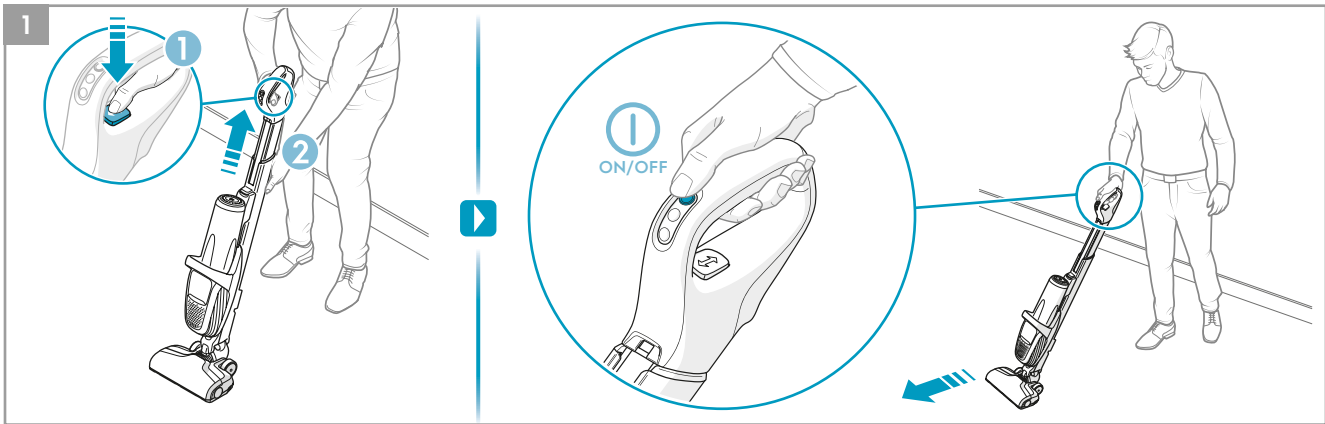
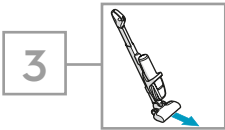


 **Brush roll all-floors & carpet**
 Ref: ESBA9
 Part nr: 9009229478





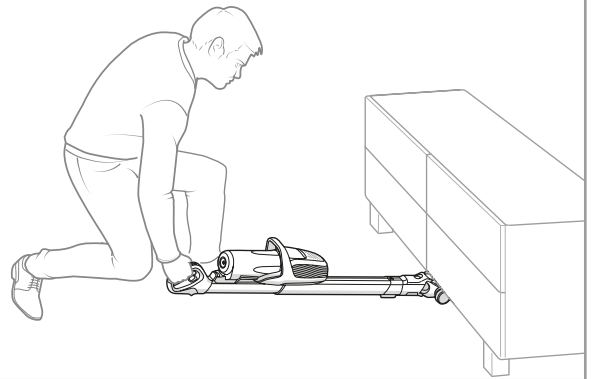
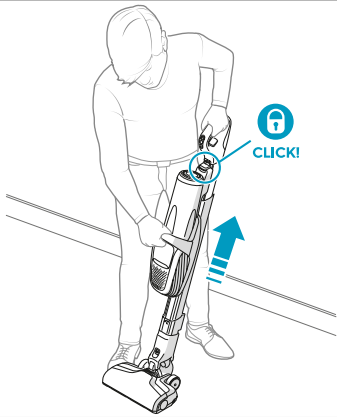




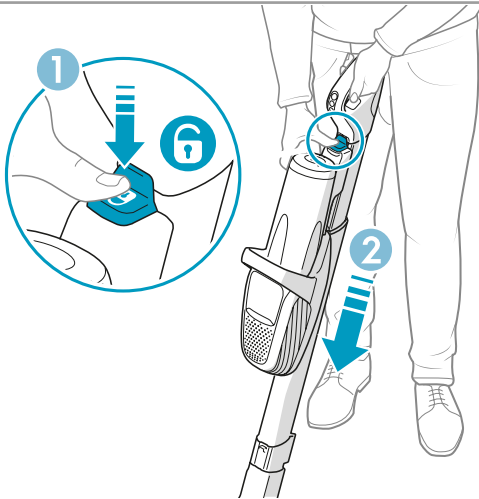
4



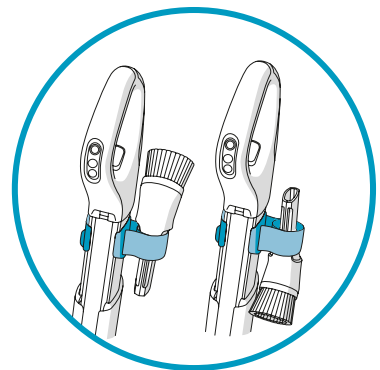
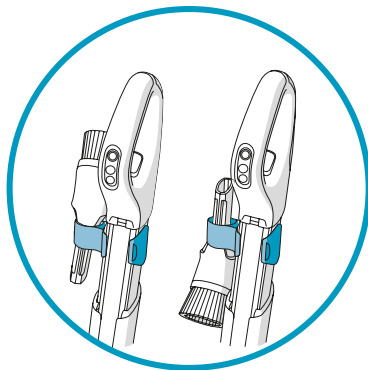
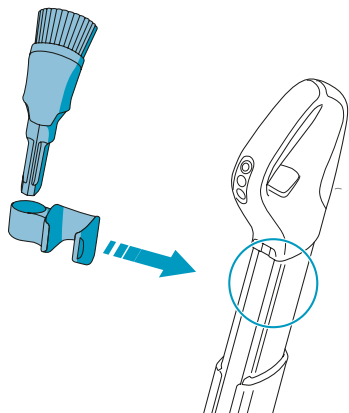
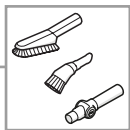
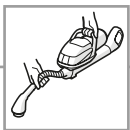
1

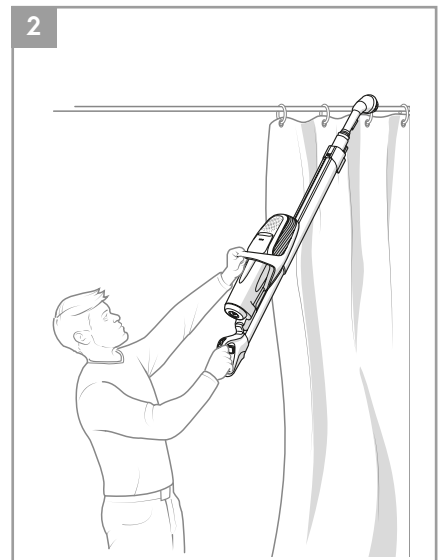
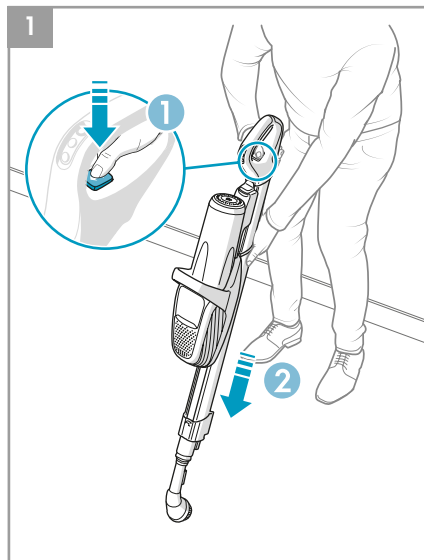
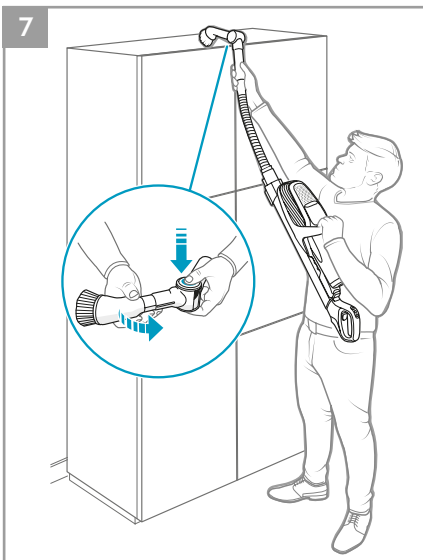
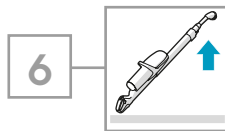
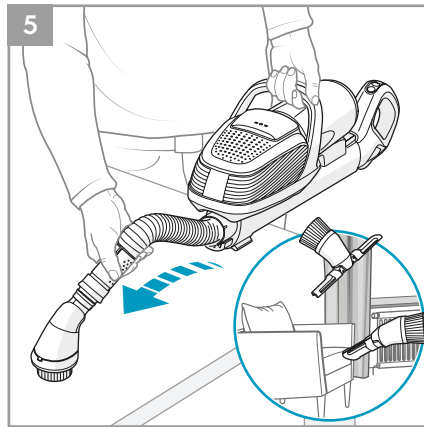
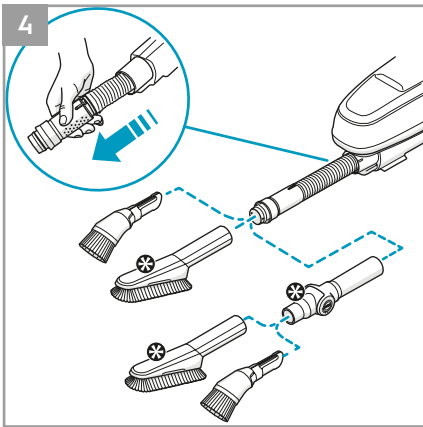
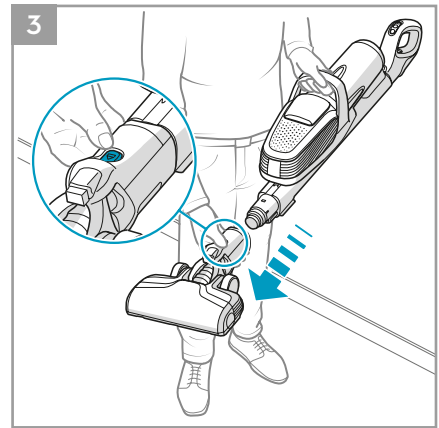
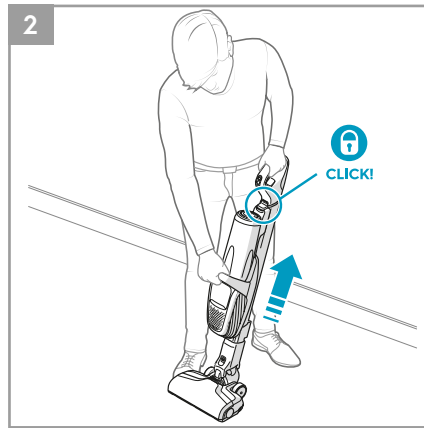
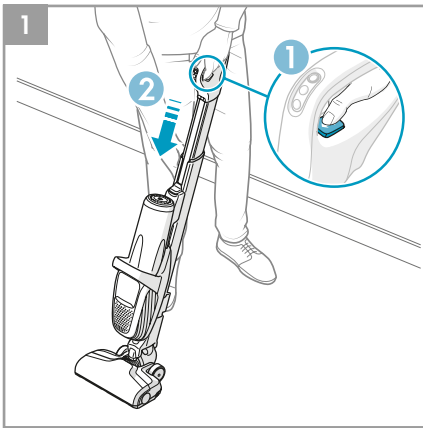


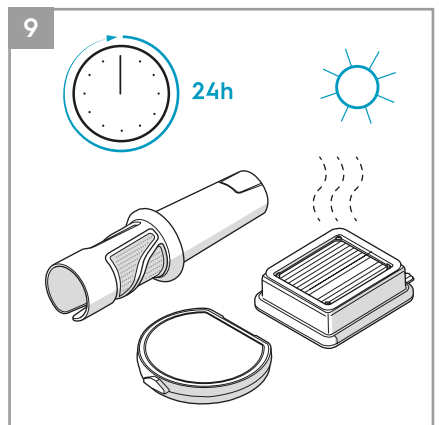
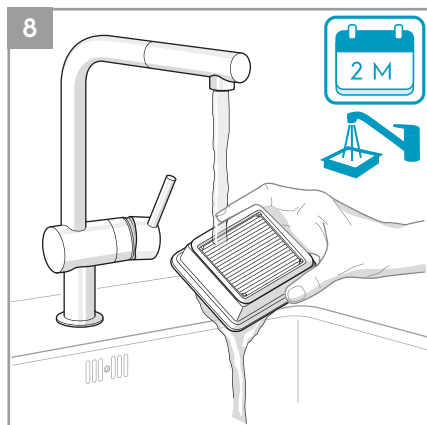
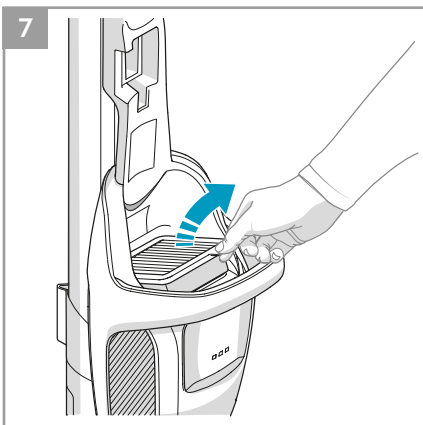
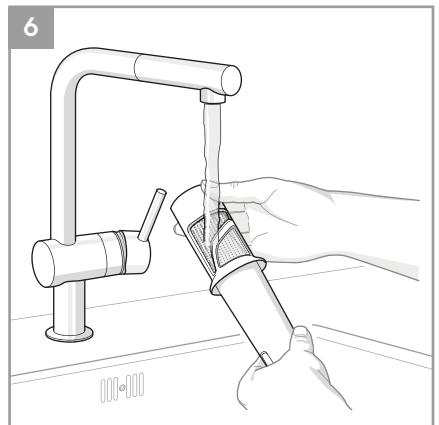
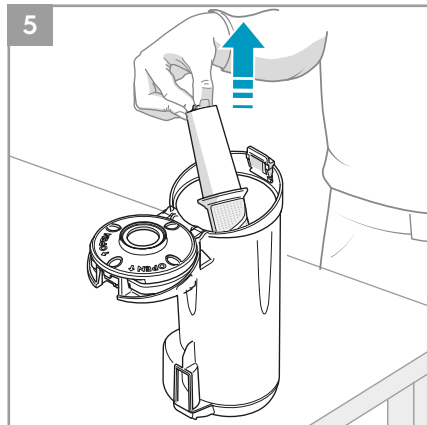
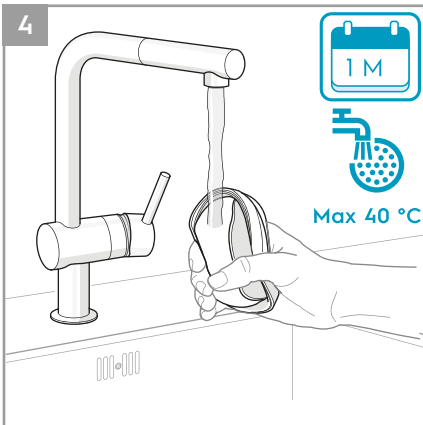
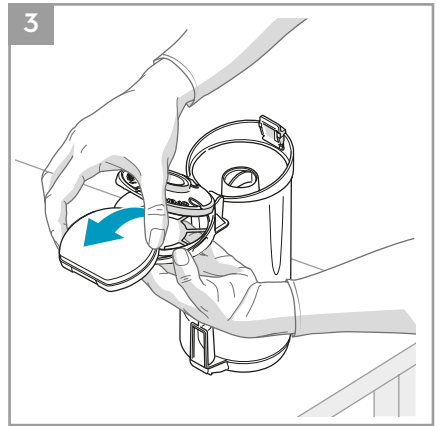
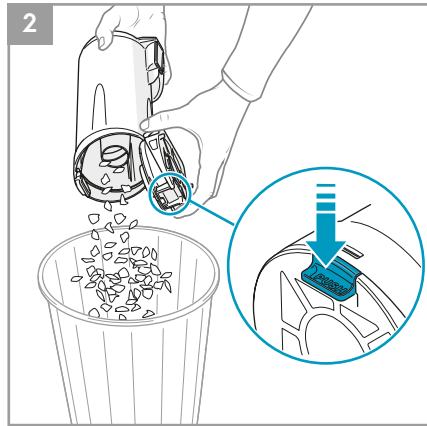
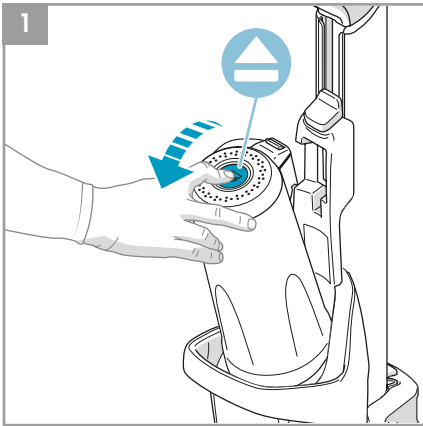
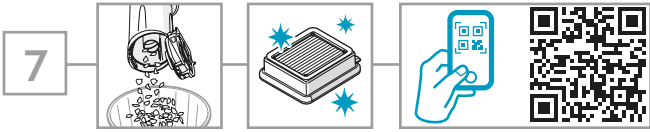
2

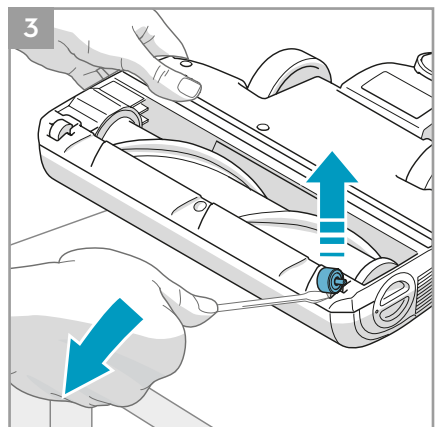
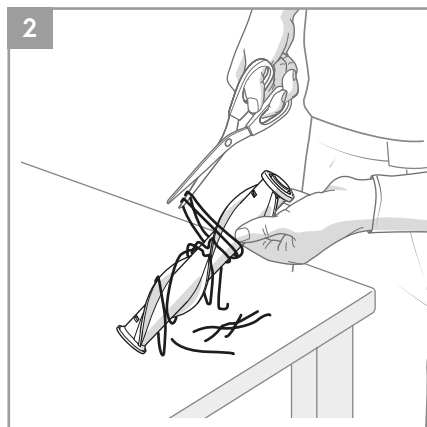
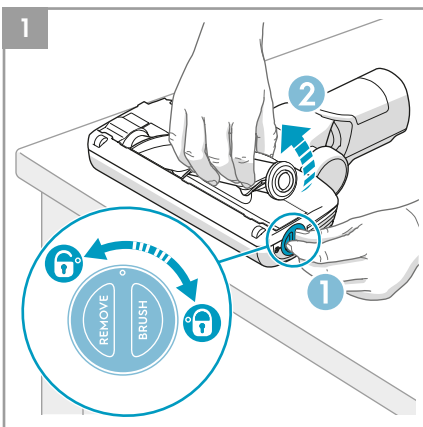
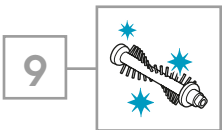
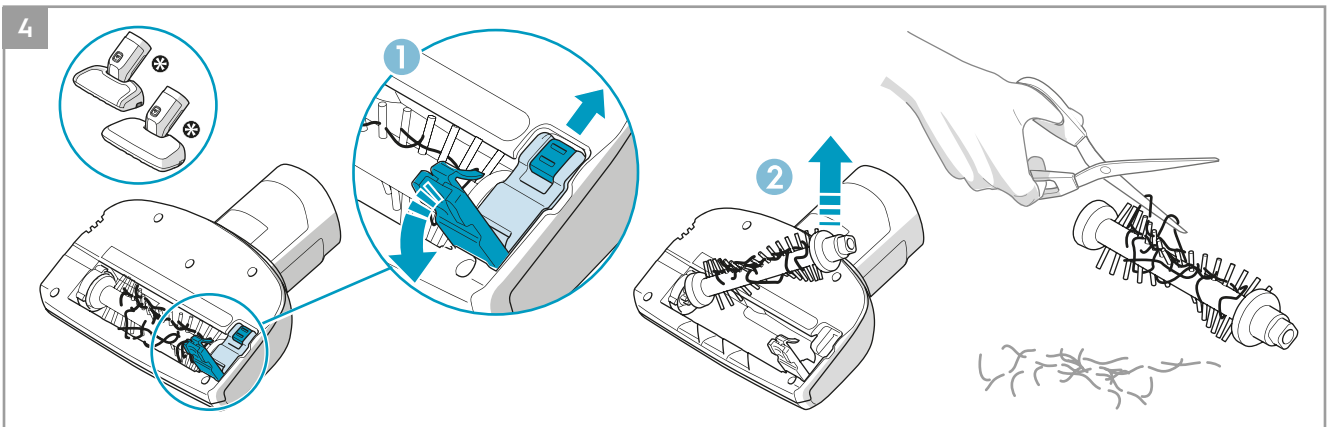
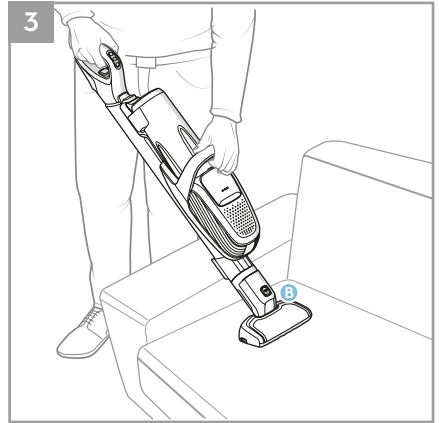
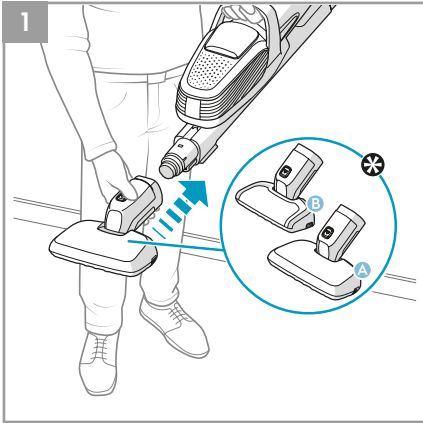
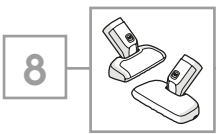


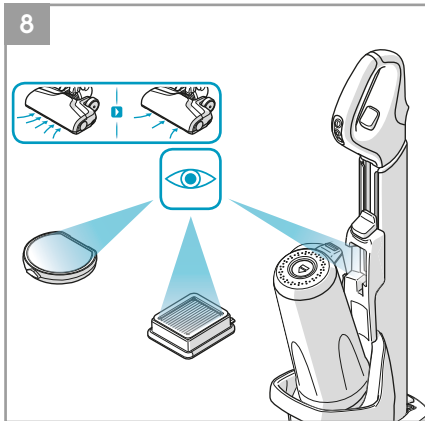
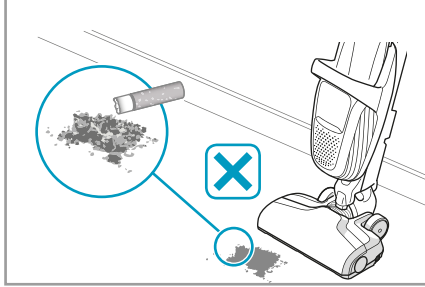
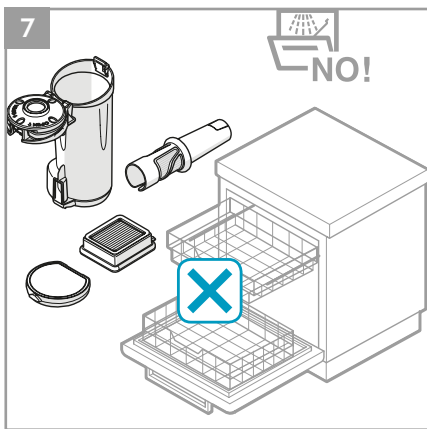
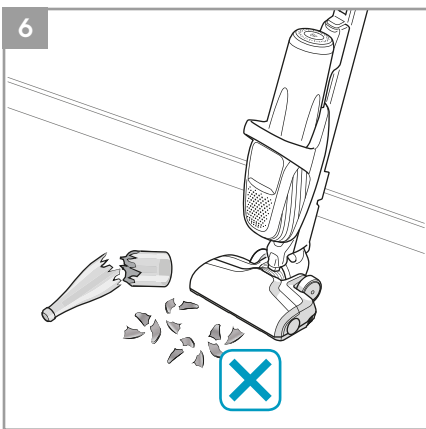
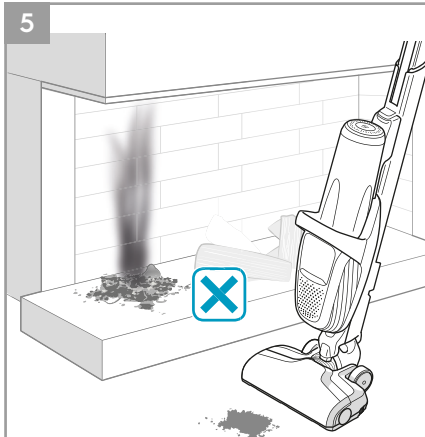
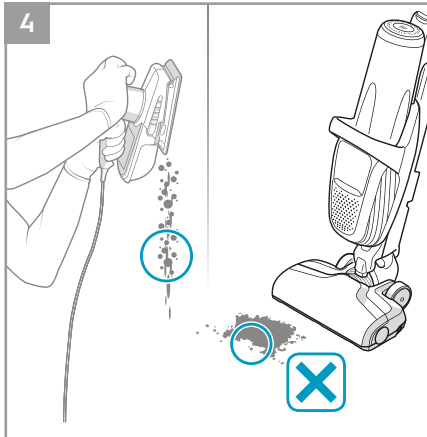
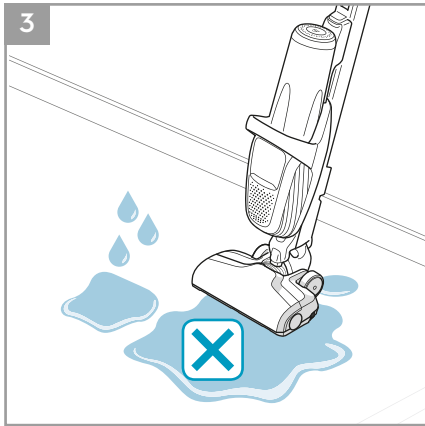
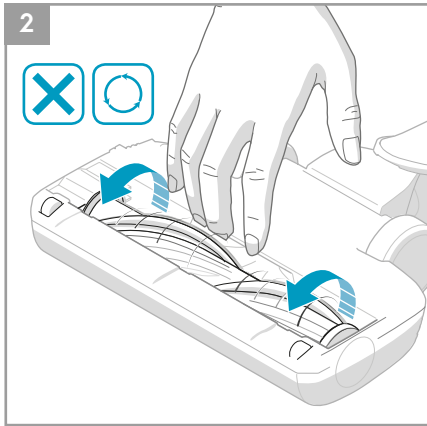
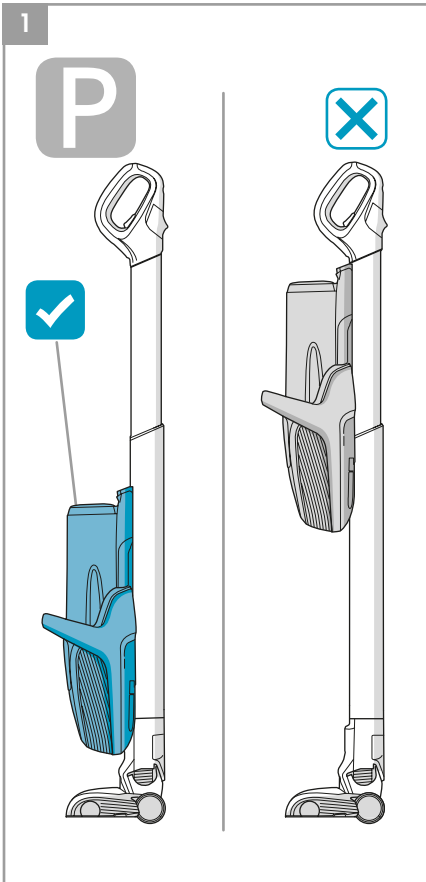
5











AEG